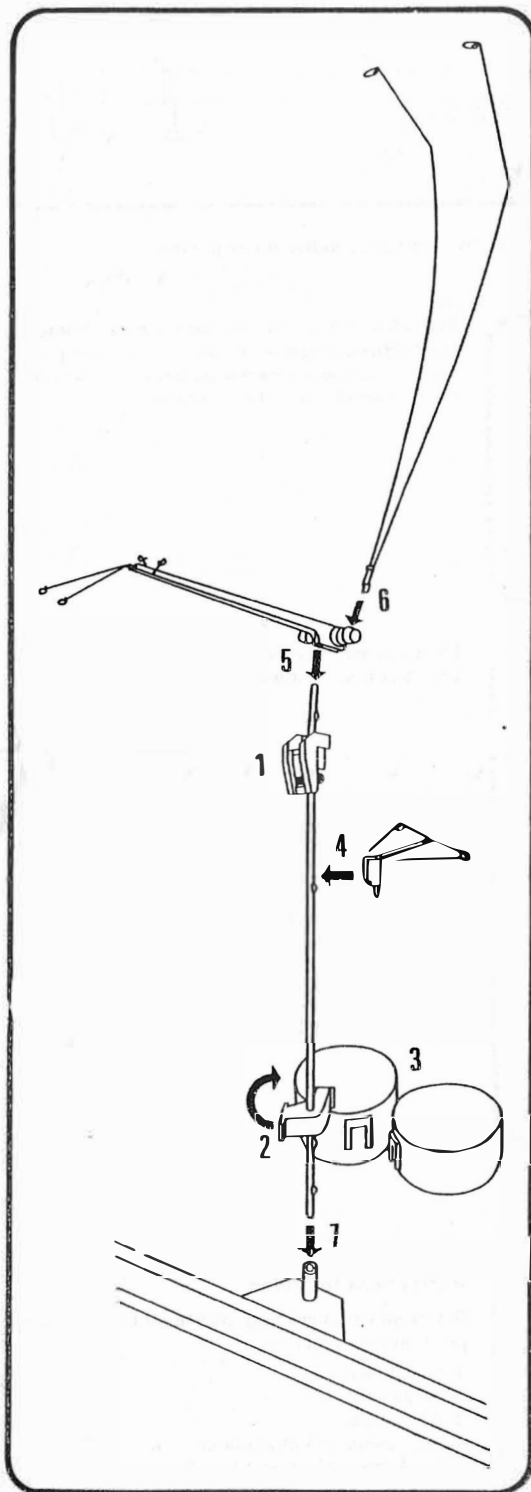


How to assemble the yarn tensioner

The top of the mast of the yarn tensioner is slightly curved.
The bottom part is straight.

- 1 The holder for the Guide Sheet is situated at the upper end of the mast and must face towards the front.
- 2 Insert the lower end of the mast into the hole in the bracket of the yarn holder. When the bracket is above its notch on the mast, turn it to the back and push it down until it clicks into position.
- 3 Place the two yarn holders into position on the bracket.
- 4 Fix the clamp to the mast with its two eyelets to the back.
- 5 Assemble the support with two tension discs to the top of the mast, in such a way that the mast clicks into the plastic part on the support.
- 6 Insert the holder with two tension arms from above into the slot at the back of the support with two tension discs.
- 7 Insert the lower end of the mast into its socket on the back bed.



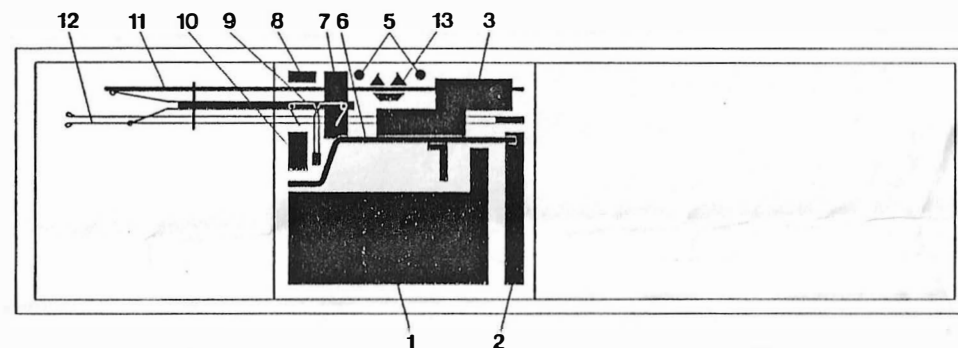
DUOMATIC 80

Directions for unpacking and repacking

First check that the box and the machine are not damaged in any way.

If, however, your machine has been damaged during transport, please inform the Carrier immediately of the damage.

Keep the special packing so that you can repack your DUOMATIC 80 away safely at any time.



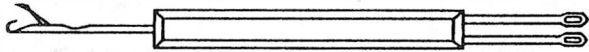
The left padding contains the following parts belonging to your knitting machine:

- 1 Front lock
- 2 Two black and two orange strippers
- 3 Two-colour changer
- 5 Two feeding eyelets
- 6 Racking handle
- 7 Support with tension disc for yarn guide
- 8 Tube of oil
- 9 Clamp with eyelets for yarn guide
- 10 A piece of paraffin wax
- 11 Mast for yarn tensioner
- 12 Tension arms
- 13 Bracket for yarn holders

The bag contains the following accessories



09.802.03
Orange tool



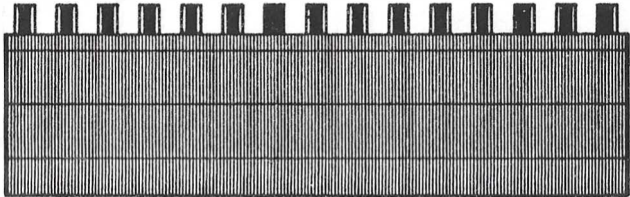
09.942.03
Yellow tool



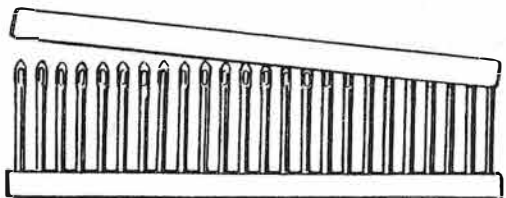
09.803.03
Black triple decker tool



09.941.02
Double end bodkin



09.809.02
Pattern ruler



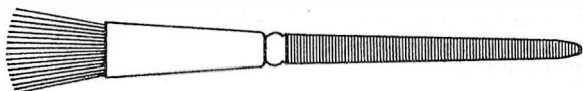
09.823.02
2 deckercombs with 20 needles



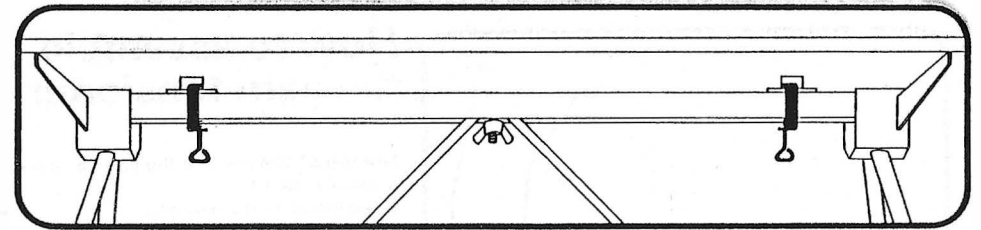
09.232.12
5 latch needles



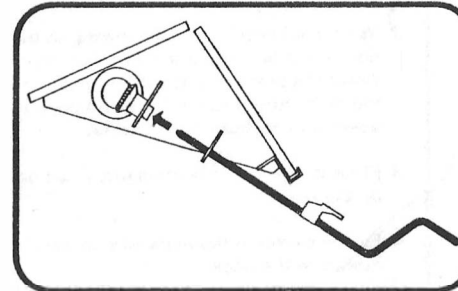
09.233.02
3 pushers



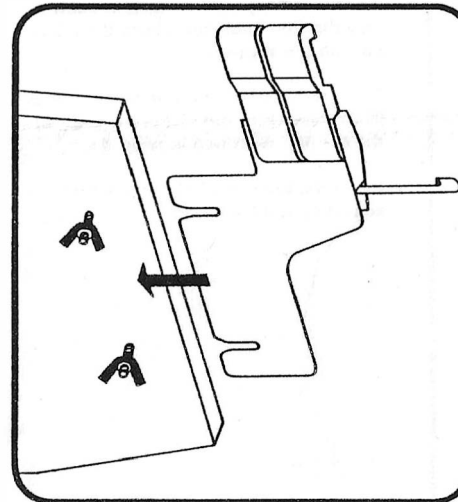
07.306.22
Brush



Place the machine on the stand, and fix it with the two clamps as in the above picture.

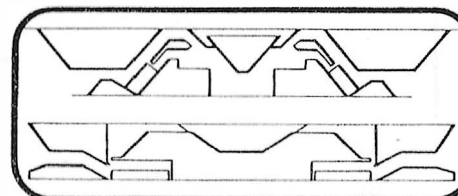


Insert the racking handle, with handle up into the supports at left under the beds, making sure that the white cam rests between the two metal ends of the racking indicator.



Fix the colour changer on the right of the back bed, and tighten the nuts.

Important



Instructions for oiling

Before you start knitting, please oil the following parts on your machine:

1. Needle feet
2. Pusher feet
3. Guide rails
4. Lock cams, see illustration (3-4 drops of oil on a brush)